

TR-200M

CRANE SPECIFICATIONS

CRANE CAPACITY

8.35m Boom	20,000kg	at 3.5m	(7 part-line)
14.3m Boom	16,000kg	at 3.5m	(6 part-line)
20.25m Boom	9,000kg	at 6.0m	(4 part-line)
26.2m Boom	6,800kg	at 7.0m	(4 part-line)
7.5m Jib	3,000kg	at 70°	(1 part-line)
Single top	3,000kg		(1 part-line)

MAX. LIFTING HEIGHT

Boom	26.5m
Jib	34.4m

MAX. WORKING RADIUS

Boom	24.0m
Jib	28.5m

BOOM LENGTH

8.35m - 26.2m

BOOM EXTENSION

17.85m

BOOM EXTENSION SPEED

17.85m / 73s

JIB LENGTH

7.5m

MAIN WINCH SINGLE LINE SPEED

High range:	108m/min	(4th layer)
Low range:	54m/min	(4th layer)

MAIN WINCH HOOK SPEED

High range:	15.4m/min	(7 part-line)
Low range:	7.7m/min	(7 part-line)

AUXILIARY WINCH SINGLE LINE SPEED

High range:	90m/min	(2th layer)
Low range:	45m/min	(2th layer)

AUXILIARY WINCH HOOK SPEED

High range:	90m/min	(1 part-line)
Low range:	45m/min	(1 part-line)

BOOM ELEVATION ANGLE

0° - 80°

BOOM ELEVATION SPEED

0° - 80° / 38s

SWING ANGLE

360° continue

SWING SPEED

3.0rpm

WIRE ROPE

Main Winch

16mm × 150m (Diameter × Length)
 7×7+6×Fi(29) Class B ordinary · Z twist
 Spin-resistant wire rope
 Breaking strength 17.6t

Auxiliary Winch

16mm × 75m (Diameter × Length)
 7×7+6×Fi(29) Class B ordinary · Z twist
 Spin-resistant wire rope
 Breaking strength 17.6t

BOOM

4-section hydraulically telescoping boom of box construction.

(stage 2: sequential; stages 3, 4: synchronized)

BOOM EXTENSION

2 double-acting hydraulic cylinder
 1 wire rope type telescoping device

JIB

1-staged swingaround boom extension which stores alongside boom base section.
 Dual offset (5°, 30°) type.

SINGLE TOP

Single sheave. Mounted to main boom head for single line work.

HOIST

Driven by hydraulic motor and via spur gear speed reducer. With free-fall device.

Automatic brake (with foot brake for free-fall device)
 2 single winches

BOOM ELEVATION

1 double-acting hydraulic cylinders

SWING

Hydraulic motor driven planetary gear reducer
 Swing bearing

Swing free/lock changeover type

Hand brake

OUTRIGGERS

Fully hydraulic X-type (floats mounted integrally)
 Slides and jacks each provided with independent operation device.

Full extended width	5.7m
Middle extended width	3.6m

MAX. OUTRIGGER LOAD

21.4t

HYDRAULIC PUMPS

Variable piston pump and gear pump

HYDRAULIC OIL TANK CAPACITY

370 liters

SAFETY DEVICES

Automatic moment limiter (AML-US)

Over-winding cutout

Working area control device

Level gauge

Hook safety latch

Winch drum lock

Hydraulic safety valve

Telescopic counterbalance valve

Elevation counterbalance valve

Jack pilot check valve

Swing lock

EQUIPMENTS

Crane cab heater (with defroster)

Reclining seat (with headrest and seat belt)

Jib extending device

Radio

Fan

TOTAL RATED LOADS

(1) With outriggers set (360°)

Unit : ton

Outriggers fully extended								Outriggers middle extended				
B (m)	A	8.35 m	14.3 m	20.25 m	26.2 m	C		B (m)	8.35 m	14.3 m	20.25 m	26.2 m
						E (°)	D					
3.0		20.0	16.0			80		3.0	20.0	16.0		
3.5		20.0	16.0	9.0		75		3.5	18.5	16.0	9.0	
4.0		18.5	15.5	9.0		70		4.0	14.0	14.0	9.0	
4.5		16.5	14.2	9.0	6.8	65		4.5	11.2	11.4	9.0	6.8
5.0		15.0	13.2	9.0	6.8	60		5.0	9.2	9.25	9.0	6.8
5.5		13.7	12.2	9.0	6.8	55		5.5	7.7	7.7	8.8	6.8
6.0		12.5	11.4	9.0	6.8	50		6.0	6.6	6.55	7.1	6.8
6.5		11.5	10.6	8.5	6.8	45		6.5	5.7	5.7	6.2	6.2
7.0			9.9	8.1	6.8	40		7.0		5.0	5.4	5.7
8.0			8.0	7.3	6.1	35		8.0		3.8	4.8	4.5
9.0			6.45	6.5	5.5	30		9.0		3.0	3.5	3.65
10.0			5.3	5.7	5.0			10.0		2.4	2.8	3.05
11.0			4.4	4.85	4.6			11.0		1.9	2.3	2.55
12.0			3.7	4.15	4.2			12.0		1.5	1.9	2.1
13.0				3.55	3.75			13.0			1.6	1.8
14.0				3.05	3.3			14.0			1.35	1.5
15.0				2.65	2.9			15.0			1.1	1.3
16.0				2.3	2.55			16.0			0.9	1.05
17.0				2.0	2.25			17.0			0.7	0.9
18.0				1.8	2.0			18.0			0.55	0.7
19.0					1.8			19.0				0.6
20.0					1.6							
22.0					1.25							
24.0					1.0							

A = Boom length B = Working radius C = Jib length
D = Jib offset E = Boom angle

NOTES:

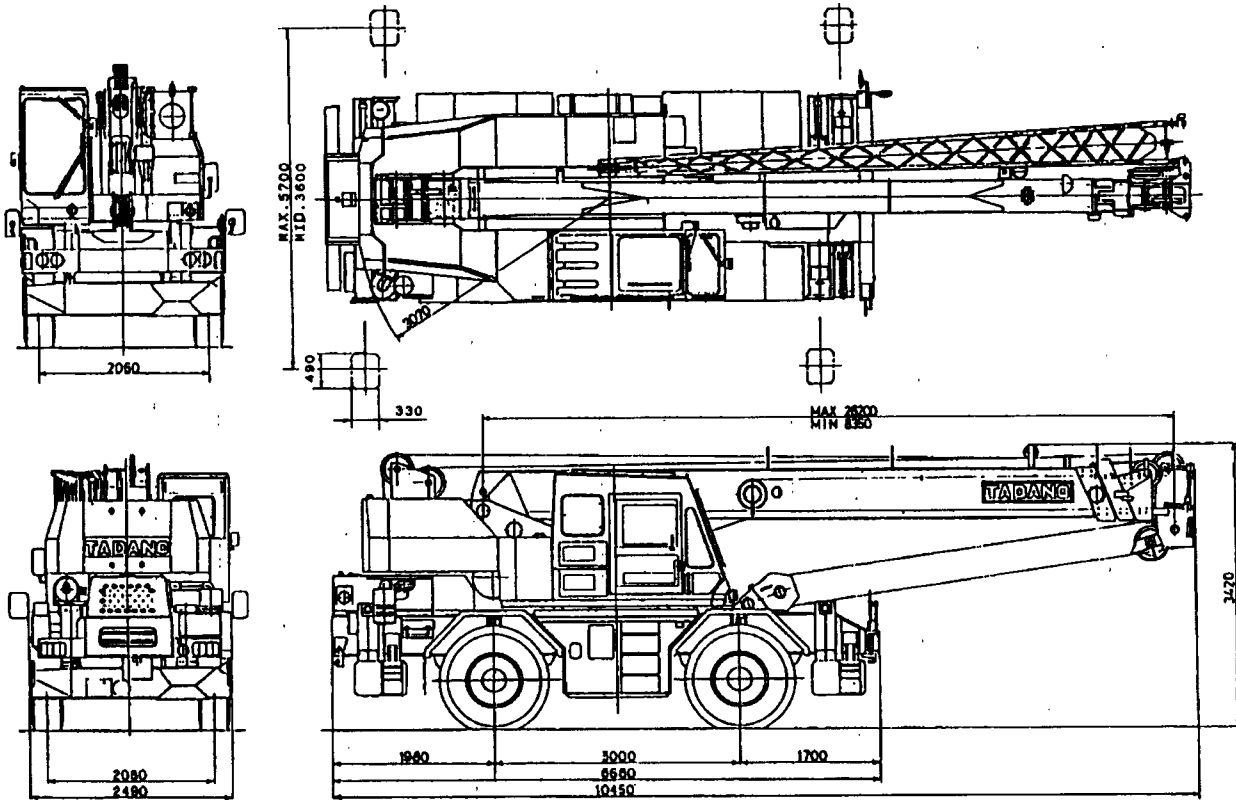
- The total rated loads shown are for the case when the outriggers are set horizontally on firm ground. The values above the bold lines are based on the crane strength while those below are based on the crane stability.
- The weights of the slings and hooks (main winch hook: 230kg, auxiliary winch hook: 50kg) are included in the total rated loads shown.
- The total rated load is based on the actual working radius including the deflection of the boom.
- The number of part lines for each boom length should not exceed the values below. The load per line should not exceed 2.9t for the main winch and 3.0t for the auxiliary winch.

A	8.35 m	14.3 m	20.25 m	26.2 m	J
H	7	6	4	4	1

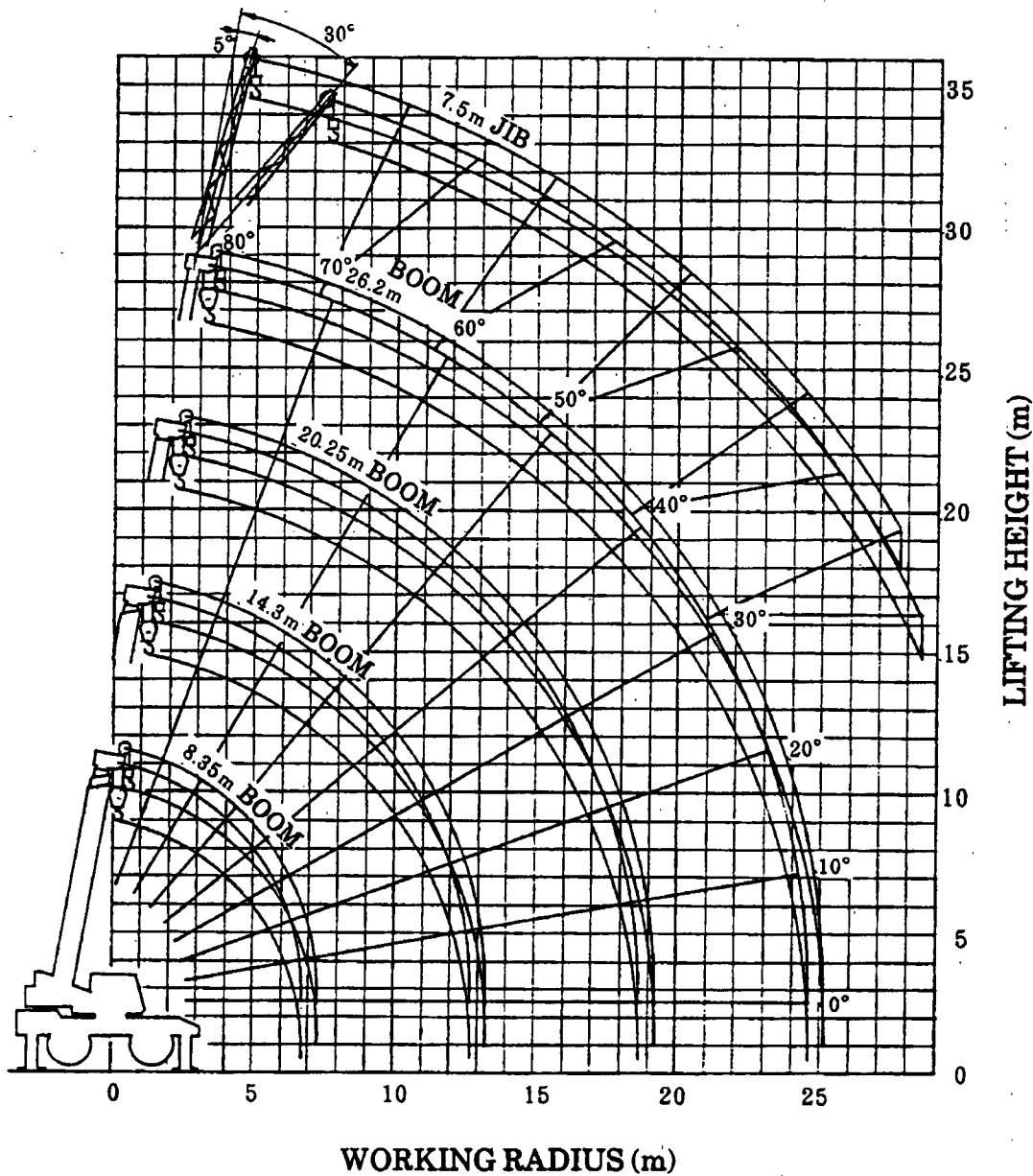
A = Boom length H = No. of part-line J = Jib / Single top

- The total rated loads for free-fall operations is 1/5 of the total rated loads given above. The load per line in this case should not exceed 0.6t for both the main winch and the auxiliary winch.
- Do not use the jib with the "Outriggers middle extended".
- The total rated load for the single top shall be the value obtained by subtracting 150kg from the total rated load of the main boom and must not exceed 3.0t.

DIMENSIONS (1/100)



WORKING RADIUS - LIFTING HEIGHT



NOTES:

1. The deflection of the boom is not incorporated in the figure above.
2. The figure above is for the case when the outriggers are fully extended (360°).